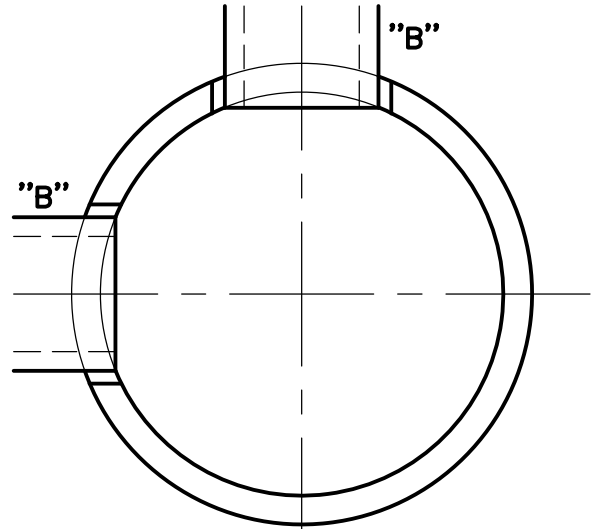


180° DEFLECTION



90° DEFLECTION

"A" = PIPE @ 180° / "B" = PIPE @ 90°

MANHOLE DIA.	"A" FOR RCP	"B" FOR RCP	"A" FOR CPE	"B" FOR CPE	"A" FOR PVC BOOTED DIP	"B" FOR PVC BOOTED DIP
2' DIA. 6" WALL	15"	NO RCP (TOO SMALL)	15"	8"	12"	8"
4' DIA.	24"	18"	24"	18"	21"	18"
5' DIA.	36"	27"	42"	24"	30"	24"
6' DIA.	42"	30"	48"	42"	NO BOOT FOR MAX	36"
7' DIA.	48"	36"	60"	48"		NO BOOT FOR MAX
8' DIA.	60"	42"	NO MAX FOR CPE	60"		
10' DIA.	78"	66"	NO MAX FOR CPE	NO MAX FOR CPE		

- MANHOLE CONFORMS TO ASTM-C478
- 6" MINIMUM SPACING BETWEEN PIPE OPENINGS
- HOLES ARE FIGURED AT THE SAME ELEVATION

MAXIMUM PIPE SIZES PER MANHOLE DIA.



FILE NO.: 151122E

DATE: 03/16/2015 PG#

O: 616.453.9429
 F: 616.453.7580
 2500 3 MILE ROAD NW
 GRAND RAPIDS, MI 49534-1314
 www.grandvalleyconcrete.com