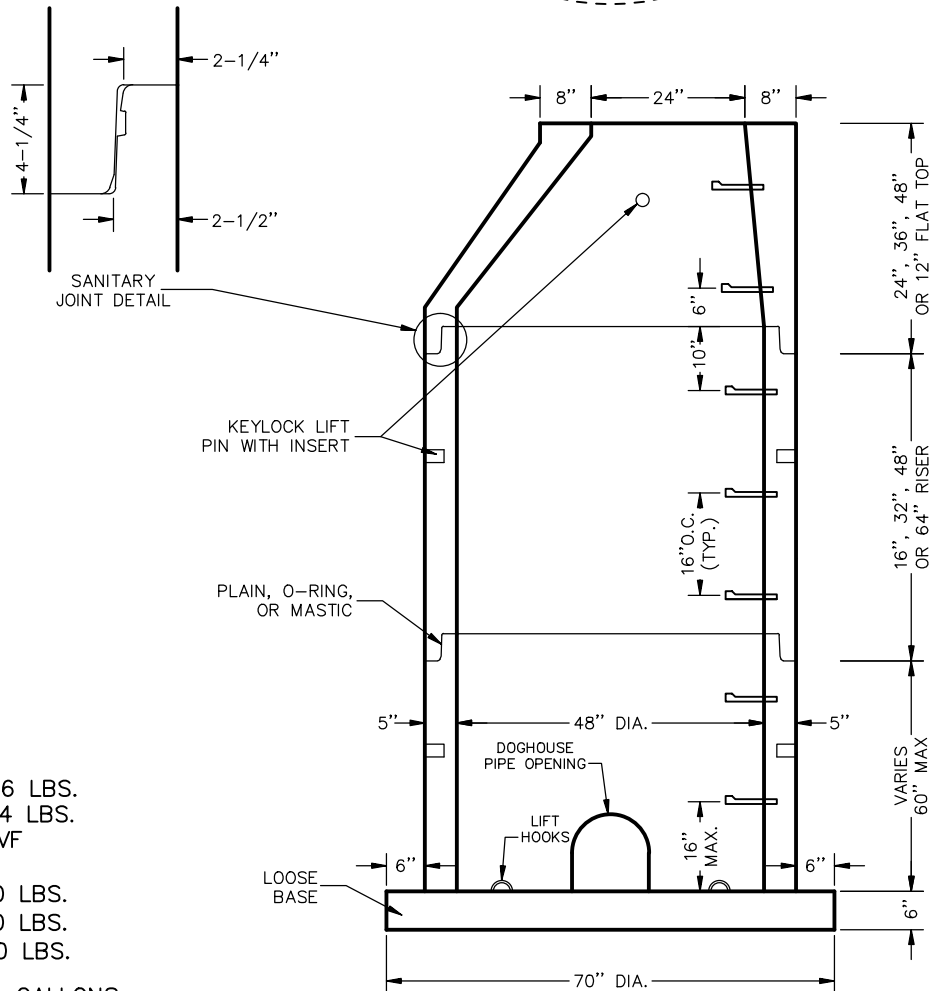
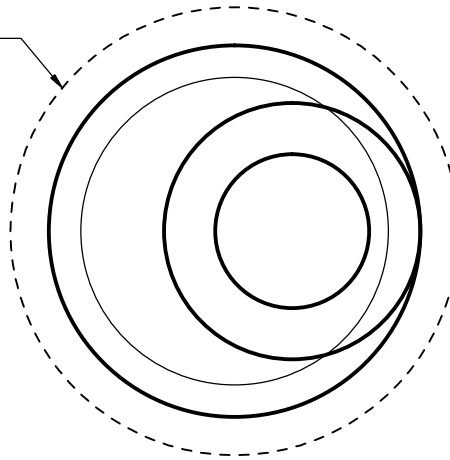


OPTIONAL
EXTENDED
BASE



WEIGHT:

- STANDARD BASE - 1,376 LBS.
- EXTENDED BASE - 2,004 LBS.
- WALL - 867 LBS. PER VF
- FLAT TOP - 1,710 LBS.
- 24" TALL CONE - 1,660 LBS.
- 36" TALL CONE - 2,140 LBS.
- 48" TALL CONE - 3,340 LBS.

CAPACITY PER VF 93.94 GALLONS

NOTES:

1. CONFORMS TO ASTM C-478
2. JOINT DETAIL MEETS ASTM C-443 & C-990-91
3. GRADE 60 REBAR
4. WIRE GRADE 65
5. BOOTED PIPE OPENINGS MEET ASTM C-923
6. MANHOLE STEPS MEET ASTM C-478, D-4101 & A-615
7. KEY LOCK LIFT INSERTS MEET ASTM C-890
8. ALL FLAT TOPS MEET H-20 LOAD RATING.

48" DIA. DOGHOUSE MANHOLE WITH CONE



FILE NO.: 151122E

DATE: 03/26/2015 PG# 12

O: 616.453.9429
 F: 616.453.7580
 2500 3 MILE ROAD NW
 GRAND RAPIDS, MI 49534-1314
 www.grandvalleyconcrete.com