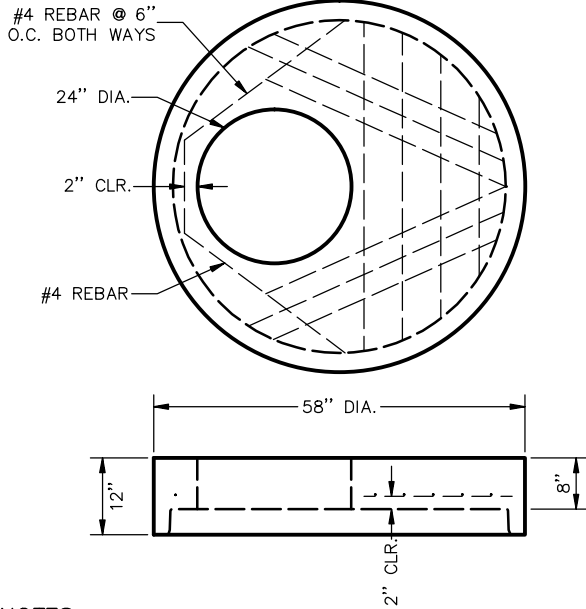


48" DIA. MANHOLE FLAT TOP

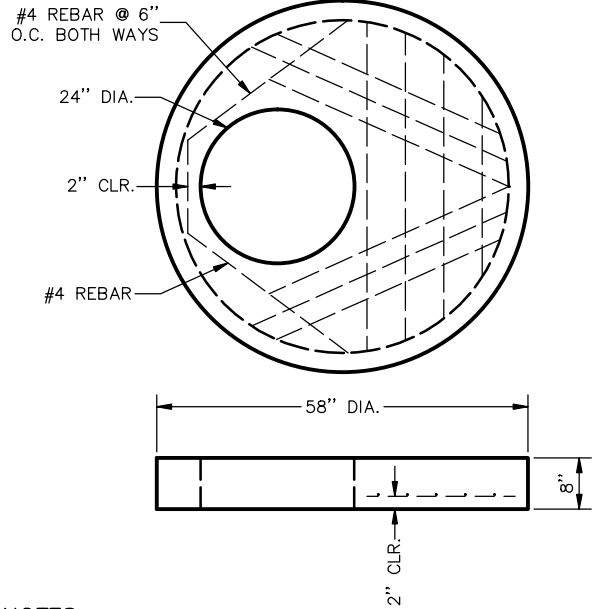


NOTES:

1. CONFORMS TO ASTM C-478
2. MEETS H-20 LOAD RATING

WEIGHT:
1,710 LBS.

48" DIA. MANHOLE FLAT TOP
TOPS WITH NO JOINT

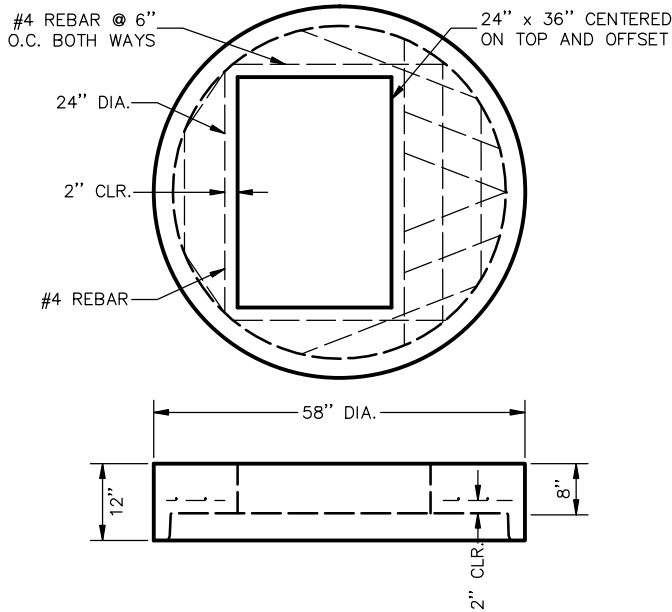


NOTES:

1. CONFORMS TO ASTM C-478
2. MEETS H-20 LOAD RATING

WEIGHT:
1,710 LBS.

48" DIA. MANHOLE FLAT TOP
WITH DOUBLE WIDE OPENING

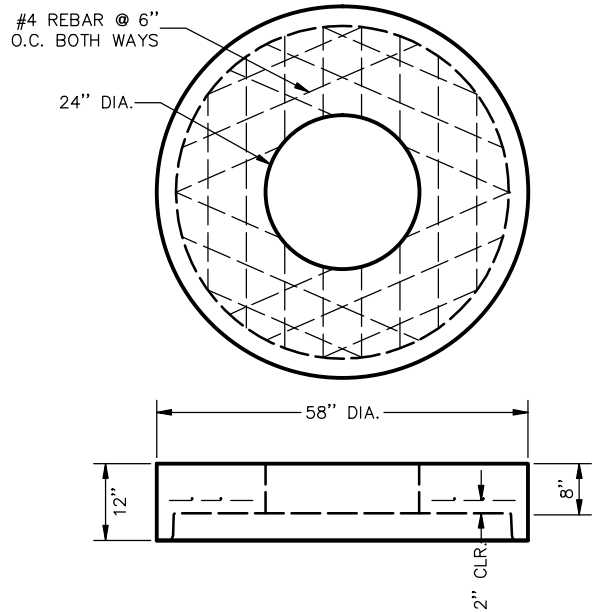


NOTES:

1. CONFORMS TO ASTM C-478
2. MEETS H-20 LOAD RATING

WEIGHT:
1,710 LBS.

48" DIA. MANHOLE FLAT TOP
WITH 24" HOLES CENTERED



NOTES:

1. CONFORMS TO ASTM C-478
2. MEETS H-20 LOAD RATING

WEIGHT:
1,710 LBS.

48" DIA. MANHOLE FLAT TOPS



FILE NO.: 151122E

DATE: 03/26/2015 PG# 15

O: 616.453.9429
F: 616.453.7580
2500 3 MILE ROAD NW
GRAND RAPIDS, MI 49534-1314
www.grandvalleyconcrete.com