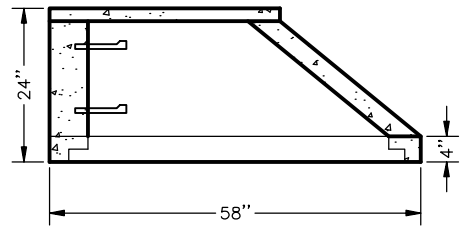
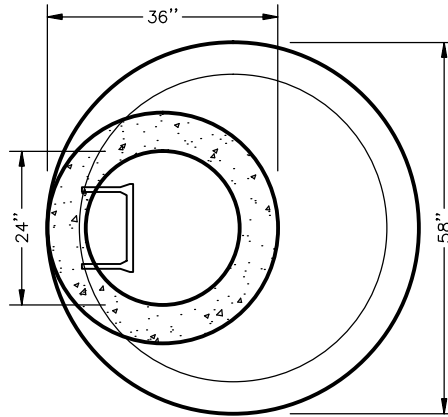


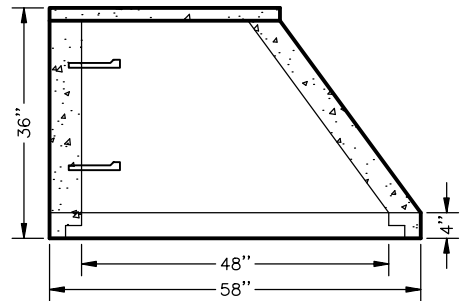
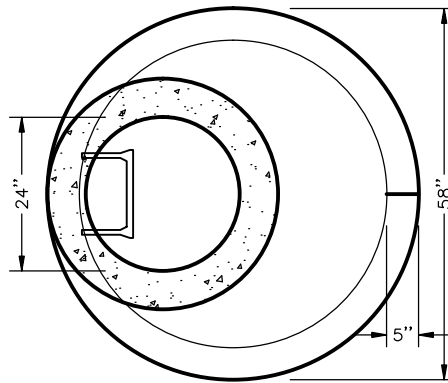
STANDARD 2' CONE



WEIGHT:
1,660 LBS.

- NOTES:**
1. CONFORMS TO ASTM C-478
 2. MEETS H-20 LIFT RATING
 3. GRADE 60 REBAR
 4. WIRE GRADE 65
 5. JOINT DETAIL MEETS ASTM C-443 & C-990-91

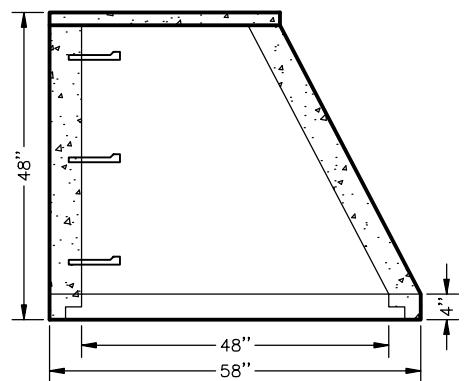
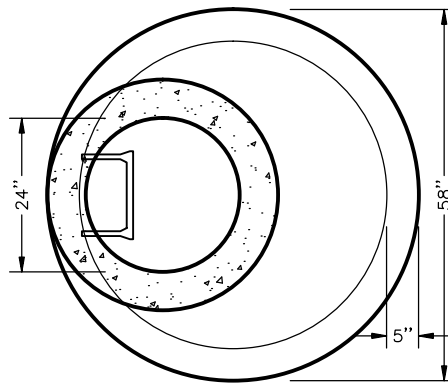
STANDARD 3' CONE



WEIGHT:
2,140 LBS.

- NOTES:**
1. CONFORMS TO ASTM C-478
 2. MEETS H-20 LIFT RATING
 3. GRADE 60 REBAR
 4. WIRE GRADE 65
 5. JOINT DETAIL MEETS ASTM C-443 & C-990-91

STANDARD 4' CONE



WEIGHT:
3,340 LBS.

- NOTES:**
1. CONFORMS TO ASTM C-478
 2. MEETS H-20 LIFT RATING
 3. GRADE 60 REBAR
 4. WIRE GRADE 65
 5. JOINT DETAIL MEETS ASTM C-443 & C-990-91

STANDARD CONES



FILE NO.: 151122E

DATE: 03/26/2015 PG# 16

O: 616.453.9429
F: 616.453.7580
2500 3 MILE ROAD NW
GRAND RAPIDS, MI 49534-1314
www.grandvalleyconcrete.com