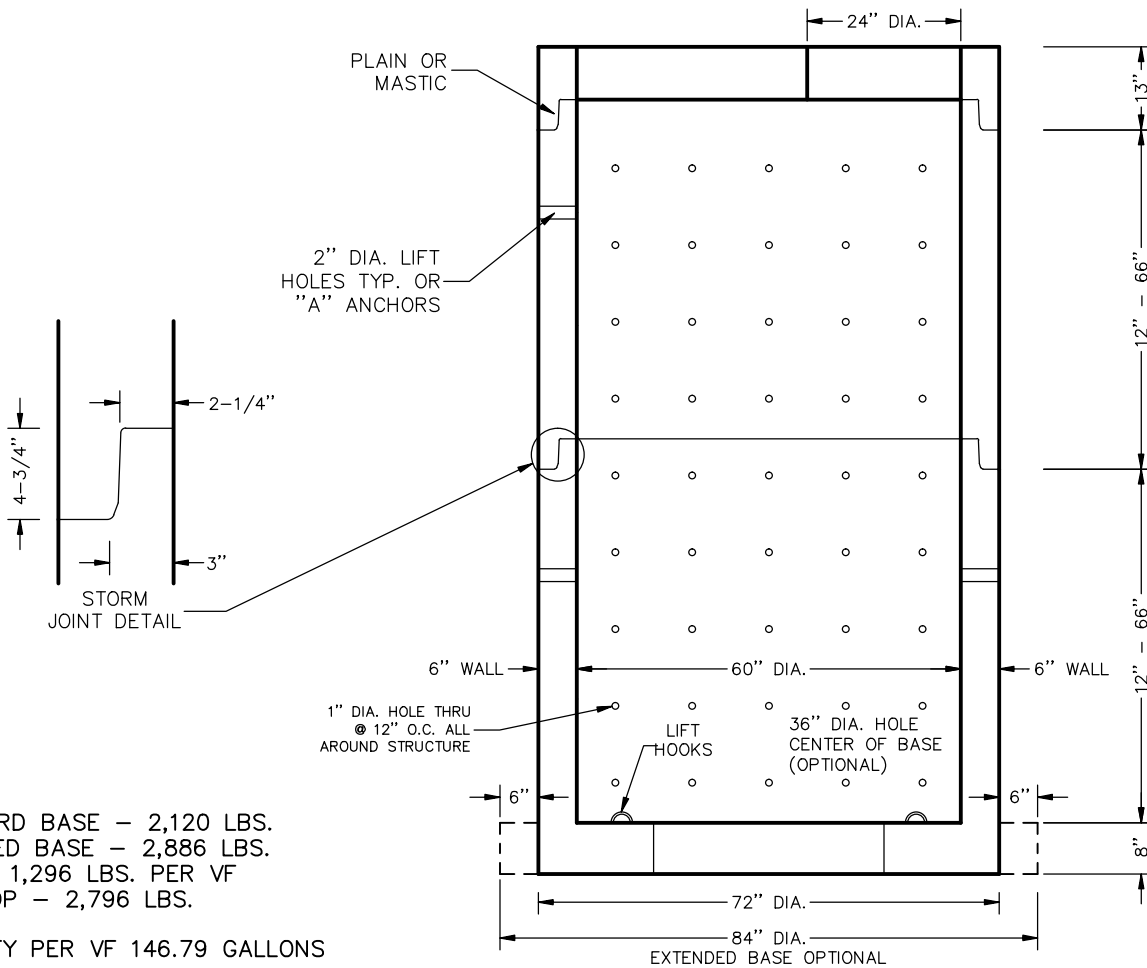
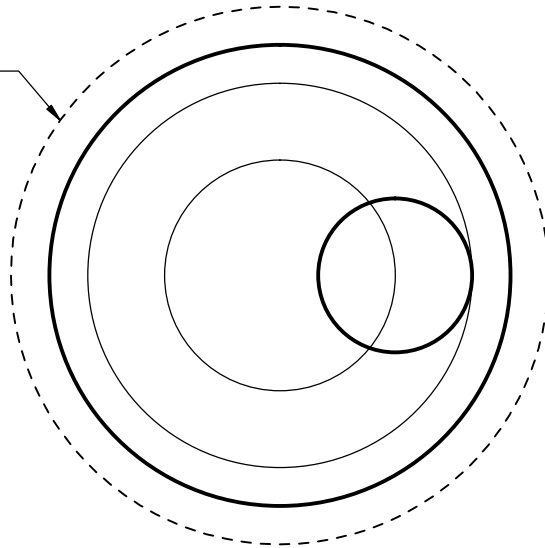


OPTIONAL
EXTENDED
BASE



WEIGHT:

- STANDARD BASE - 2,120 LBS.
- EXTENDED BASE - 2,886 LBS.
- WALL - 1,296 LBS. PER VF
- FLAT TOP - 2,796 LBS.

CAPACITY PER VF 146.79 GALLONS

NOTES:

1. CONFORMS TO ASTM C-478
2. JOINT DETAIL MEETS ASTM C-443 & C-990-91
3. GRADE 60 REBAR
4. WIRE GRADE 65
5. BOOTED PIPE OPENINGS MEET ASTM C-923
6. MANHOLE STEPS MEET ASTM C-478, D-4101 & A-615
7. ALL FLAT TOPS MEET H-20 LOAD RATING.

60" DIA. LEECHING MANHOLES WITH FLAT TOP



FILE NO.: 151122E

DATE: 03/26/2015

PG# 19

O: 616.453.9429
 F: 616.453.7580
 2500 3 MILE ROAD NW
 GRAND RAPIDS, MI 49534-1314
www.grandvalleyconcrete.com