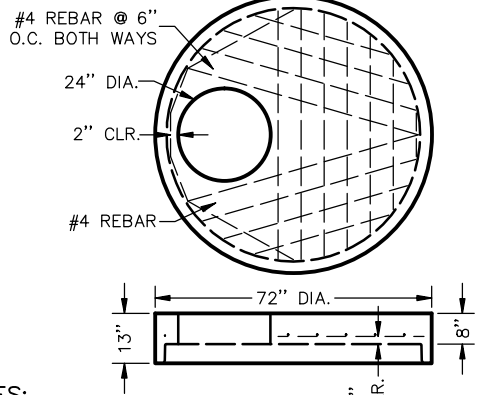


60" DIA. MANHOLE FLAT TOPS WITH JOINT

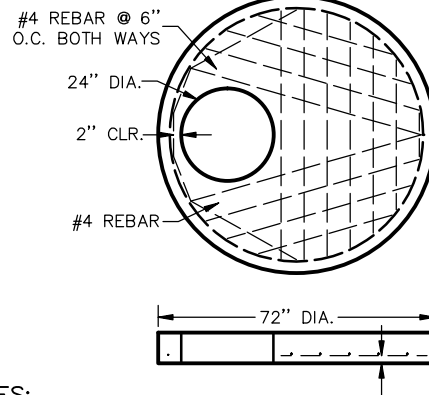


NOTES:

1. CONFORMS TO ASTM C-478
2. MEETS H-20 LOAD RATING

WEIGHT:
2,796 LBS.

60" DIA. MANHOLE FLAT TOPS WITH NO JOINT

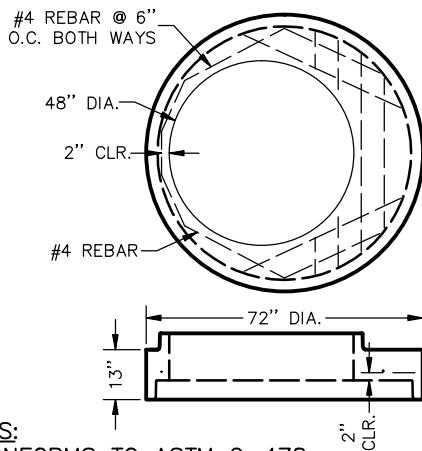


NOTES:

1. CONFORMS TO ASTM C-478
2. MEETS H-20 LOAD RATING

WEIGHT:
2,160 LBS.

60" DIA. MANHOLE REDUCING SLAB

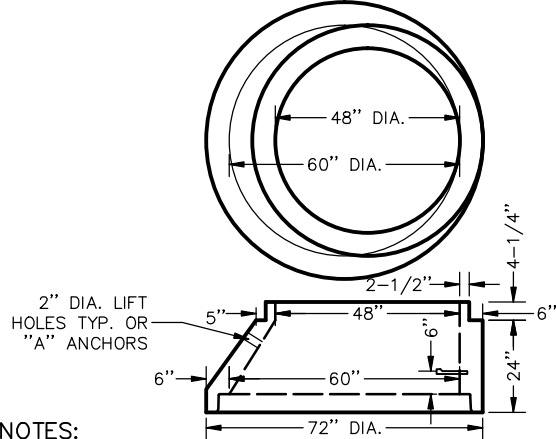


NOTES:

1. CONFORMS TO ASTM C-478
2. MEETS H-20 LOAD RATING

WEIGHT:
X,XXX LBS.

60" DIA. MANHOLE REDUCING CONE

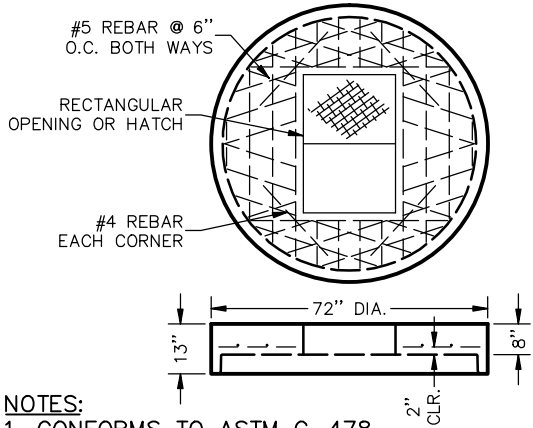


NOTES:

1. CONFORMS TO ASTM C-478
2. MEETS H-20 LOAD RATING

WEIGHT:
2,160 LBS.

60" DIA. MANHOLE FLAT TOP WITH HATCH OR RECTANGULAR OPENING

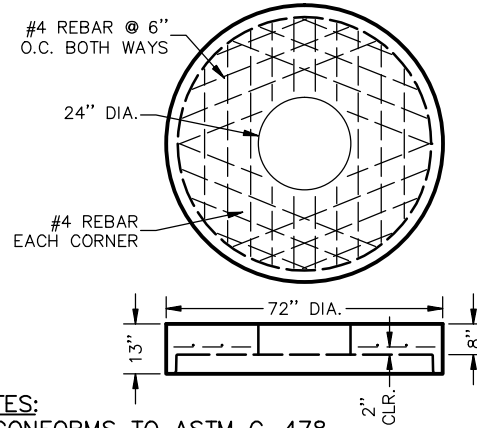


NOTES:

1. CONFORMS TO ASTM C-478
2. MEETS H-20 LOAD RATING

WEIGHT:
2,796 LBS.

60" DIA. MANHOLE FLAT TOP WITH 24" HOLES CENTERED



NOTES:

1. CONFORMS TO ASTM C-478
2. MEETS H-20 LOAD RATING

WEIGHT:
2,796 LBS.

60" DIA. MANHOLE FLAT TOPS



FILE NO.: 151122E

DATE: 03/28/2015 PG# 20

O: 616.453.9429
F: 616.453.7580
2500 3 MILE ROAD NW
GRAND RAPIDS, MI 49534-1314
www.grandvalleyconcrete.com