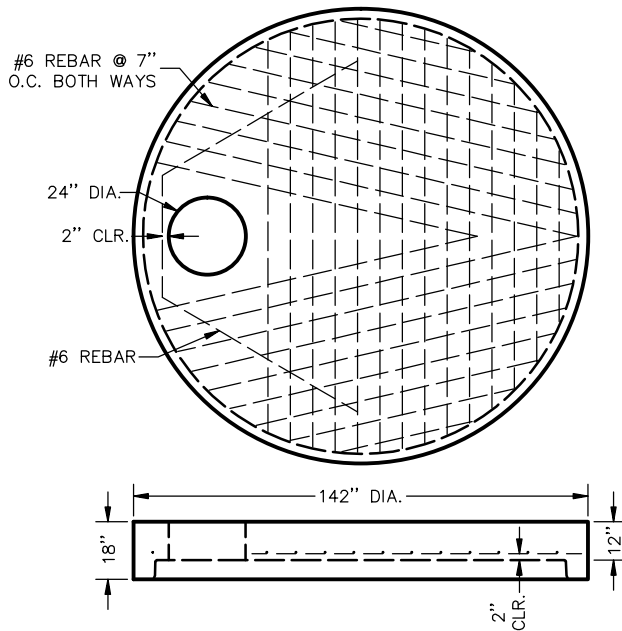


120" DIA. MANHOLE FLAT TOP

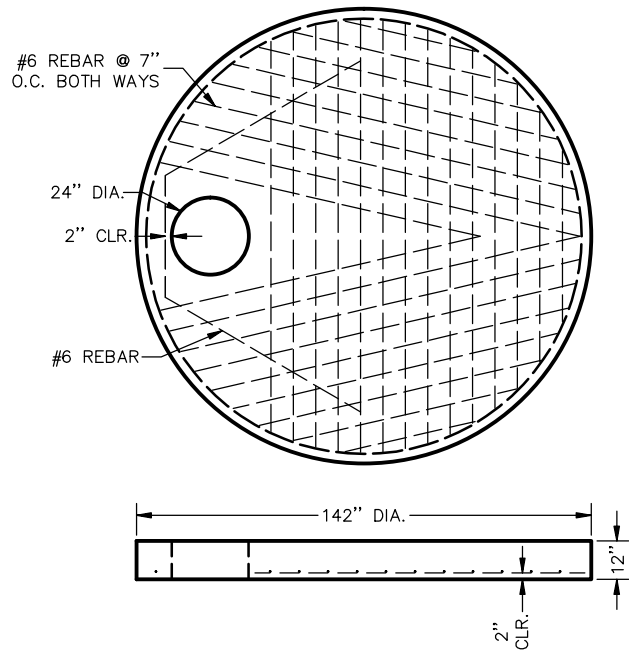


NOTES:

- 1. CONFORMS TO ASTM C-478
- 2. MEETS H-20 LOAD RATING

WEIGHT:
17,146 LBS.

120" DIA. MANHOLE FLAT TOPS WITH NO JOINT

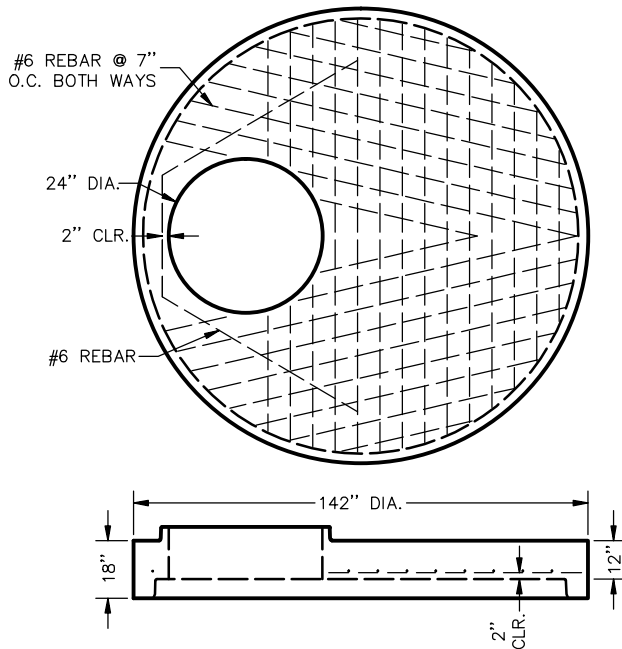


NOTES:

- 1. CONFORMS TO ASTM C-478
- 2. MEETS H-20 LOAD RATING

WEIGHT:
15,733 LBS.

120" DIA. MANHOLE REDUCING SLAB

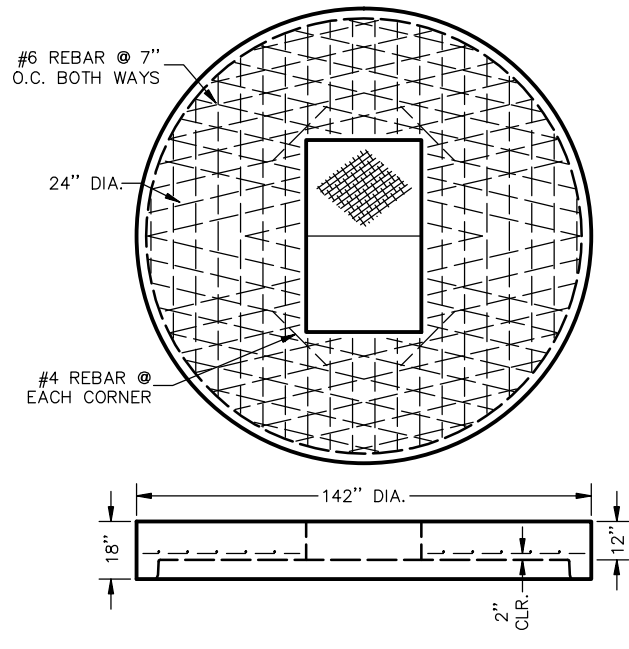


NOTES:

- 1. CONFORMS TO ASTM C-478
- 2. MEETS H-20 LOAD RATING

WEIGHT:
15,733 LBS.

120" DIA. MANHOLE FLAT TOP WITH HATCH OR OPENING



NOTES:

- 1. CONFORMS TO ASTM C-478
- 2. MEETS H-20 LOAD RATING

WEIGHT:
17,146 LBS.

120" DIA. MANHOLE FLAT TOPS



FILE NO.: 151122E

DATE: 03/31/2015 PG# 33

O: 616.453.9429
 F: 616.453.7580
 2500 3 MILE ROAD NW
 GRAND RAPIDS, MI 49534-1314
www.grandvalleyconcrete.com